

MultiScreen Holder

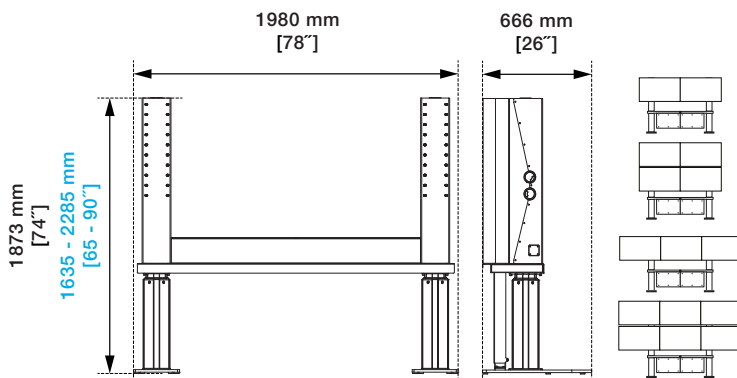
A flexible and ergonomic large screen solution



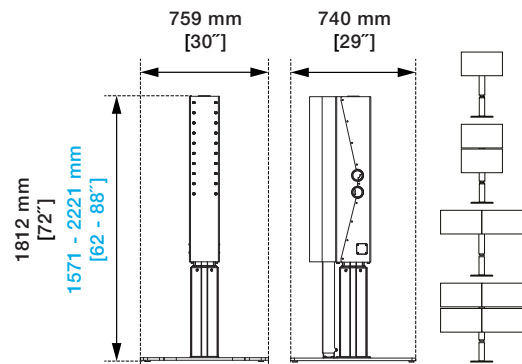
The MultiScreen Holder offers an ergonomic solution for complementary large monitors in the control room environment.

- Optional motorized pillars
- Optional DSLX lighting module
- Power: 115 - 230 V, 50 - 60 Hz / 340 VA
- Adjustable VESA monitor mounts
- Integrated with other CGM solutions
- Exceeds ISO 11 064 recommendations
- In accordance with EEMUA 201 recommendations

Two pillars



One pillar



Optional motorized pillars